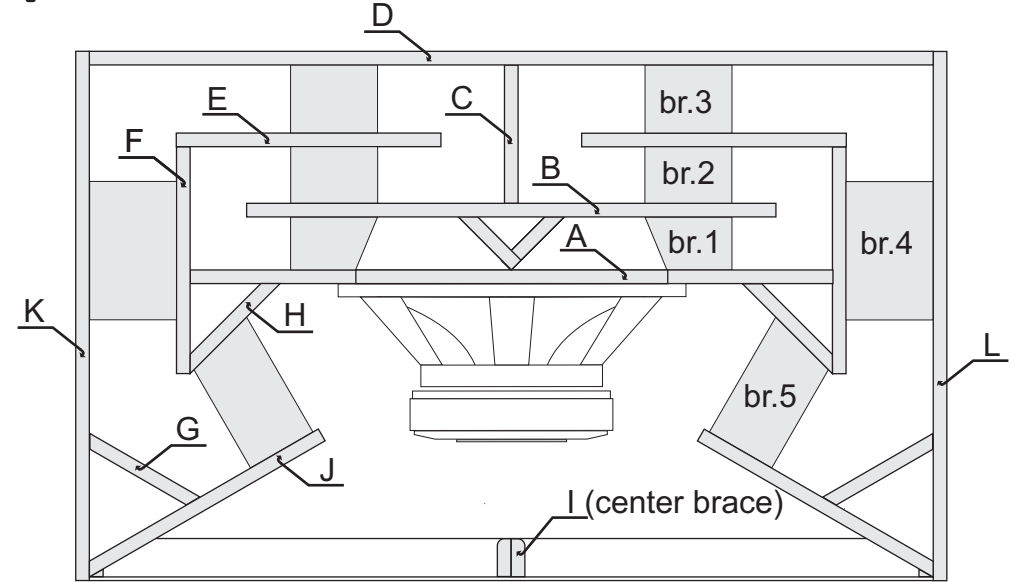
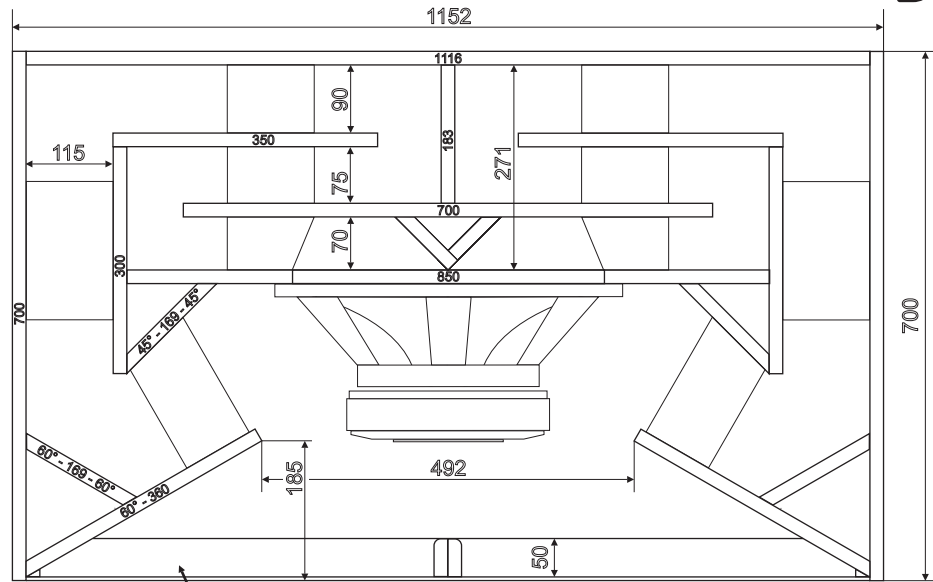
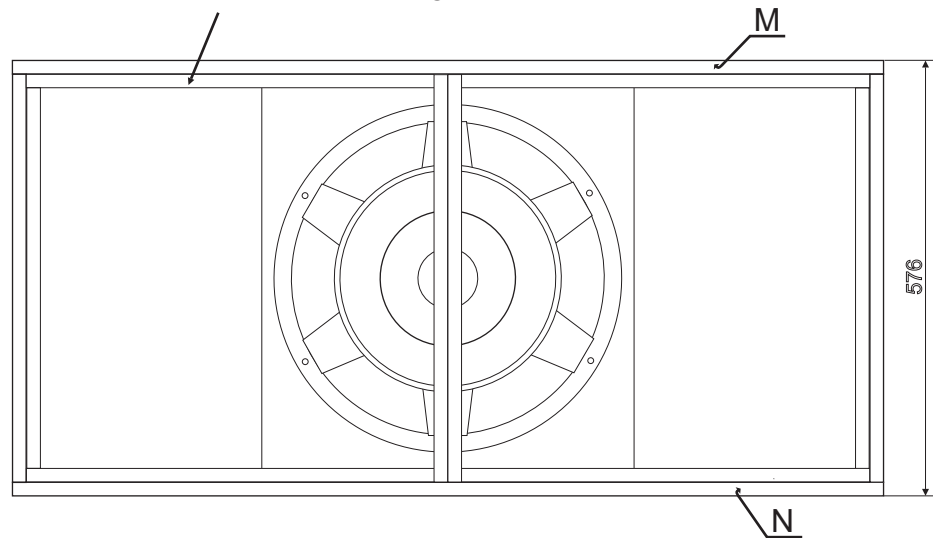


# CBX-18 Cyclops Extended

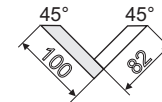


\*double edging (50mm wide)  
5mm recessed from front edge



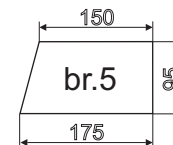
Based on 18mm panel

- A 850 x 540
- B 700 x 540**
- C 183 x 540
- D 1116 x 540
- E 350 x 540
- F 300 x 540
- G 169 x 540** - booth ends 60° (30° cut-off)
- H 169 x 540** - booth ends 45°
- I 50 x 540 - (2 laminated together) - center brace
- J 360 x 540 - one end 60° (30° cut-off)
- K/L 700 x 540**
- M/N 1152 x 700



all braces - single on cabinet centerline  
only braces "br.5" doubled, on equal distance  
\* double front edge - to stiffen horn mouth  
and for protecting grille mounting

- br.1 115 x 70
- br.2 115 x 75
- br.3 115 x 90
- br.4 115 x 183
- br.5 175 x 95



designed by:  
Stipe Ercegovic, 2010  
stipe@pro-lux.hr