

1 x 18" folded horn enclosure

Application

A powerful low frequency cabinet with high efficiency suitable for all bass applications in multi-way sound systems. The design naturally cuts off at 500 Hz.

Cabinet Type

Compact folded horn design.

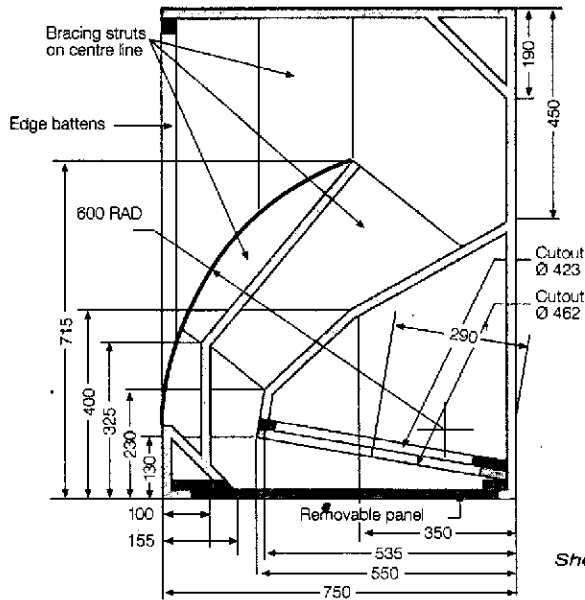
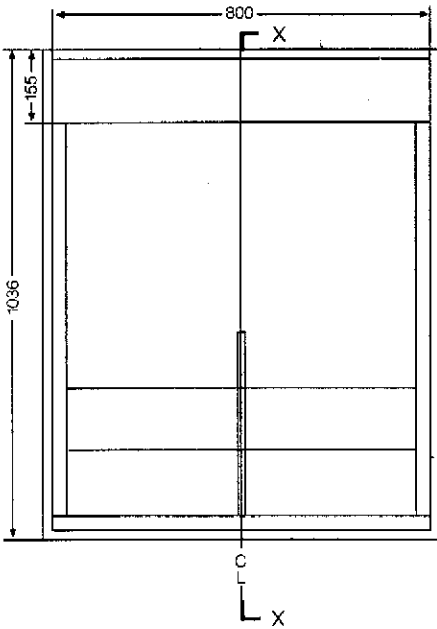
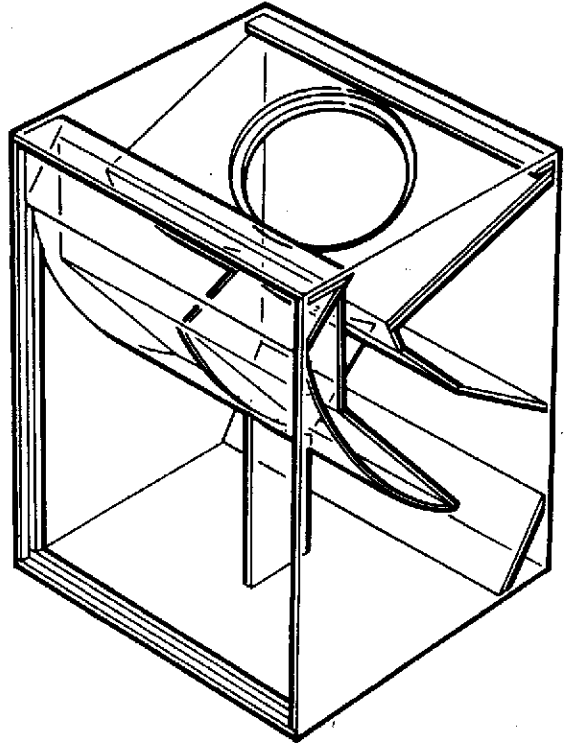
Effective Volume

649 litres (23 cubic feet)

Loudspeakers

PS 18/400 cone bass driver

PS 18/600 cone bass driver



Sheet Material Requirements:
1,21 x 6,6 m (4.0' x 22.0')

