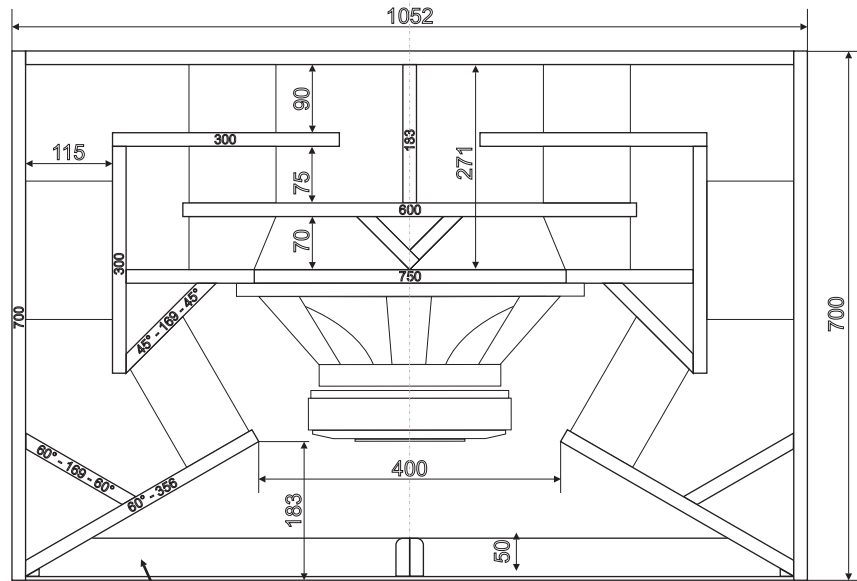
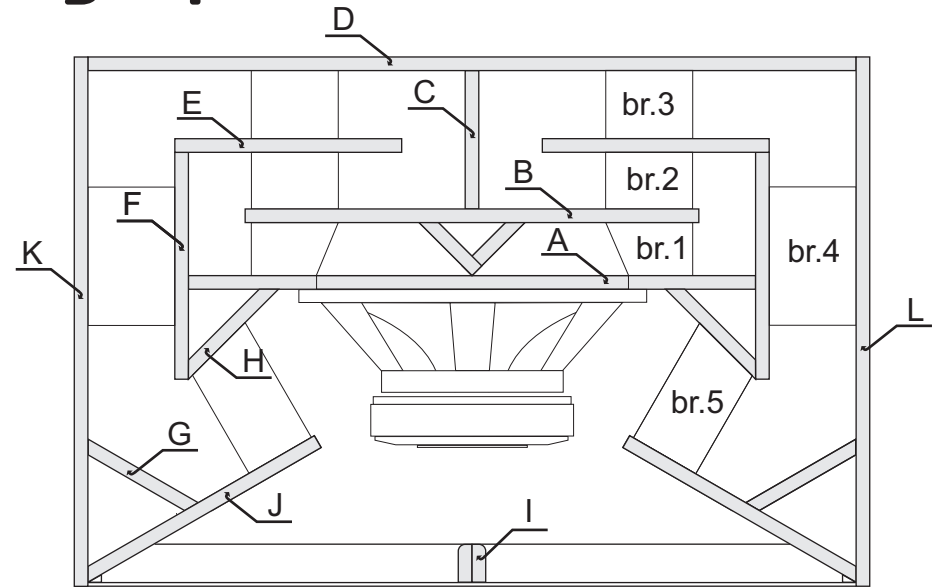
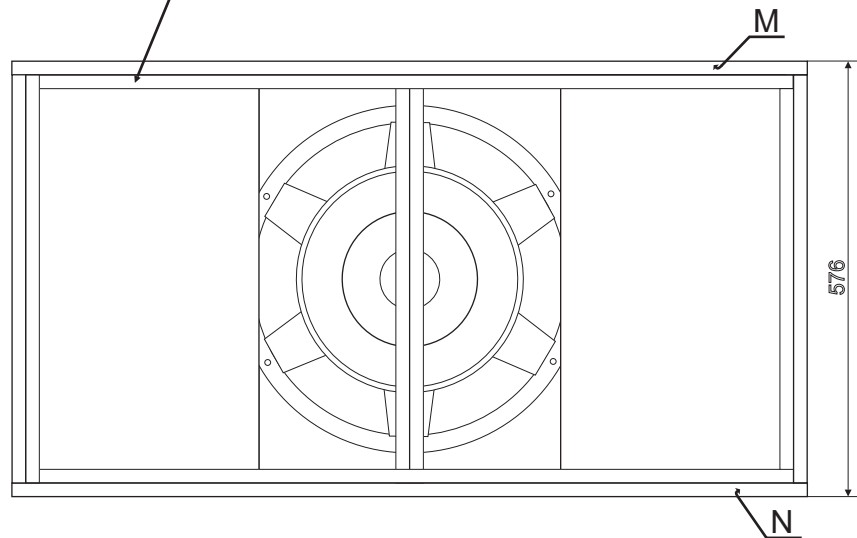


CBe-18 Cyclops

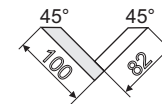


*double edging (50mm wide)
5mm recessed from front edge



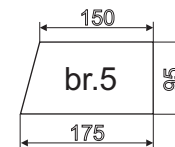
Based on 18mm panel

- A 750 x 540
- B 600 x 540
- C 183 x 540
- D 1016 x 540
- E 300 x 540**
- F 300 x 540**
- G 169 x 540** - booth ends 60° (30° cut-off)
- H 169 x 540** - booth ends 45°
- I 50 x 540 - two laminated together (center brace)
- J 356 x 540 - one end 60° (30° cut-off)
- K/L 700 x 540
- M/N 1052 x 700



all braces - single on cabinet centerline
only braces "br.5" doubled, on equal distance
* double front edge - to stiffen horn mouth
and for protecting grille mounting

- br.1 115 x 70
- br.2 115 x 75
- br.3 115 x 90
- br.4 115 x 183
- br.5 175 x 95



designed by:
Stipe Ercegovic, 2010
stipe@pro-lux.hr